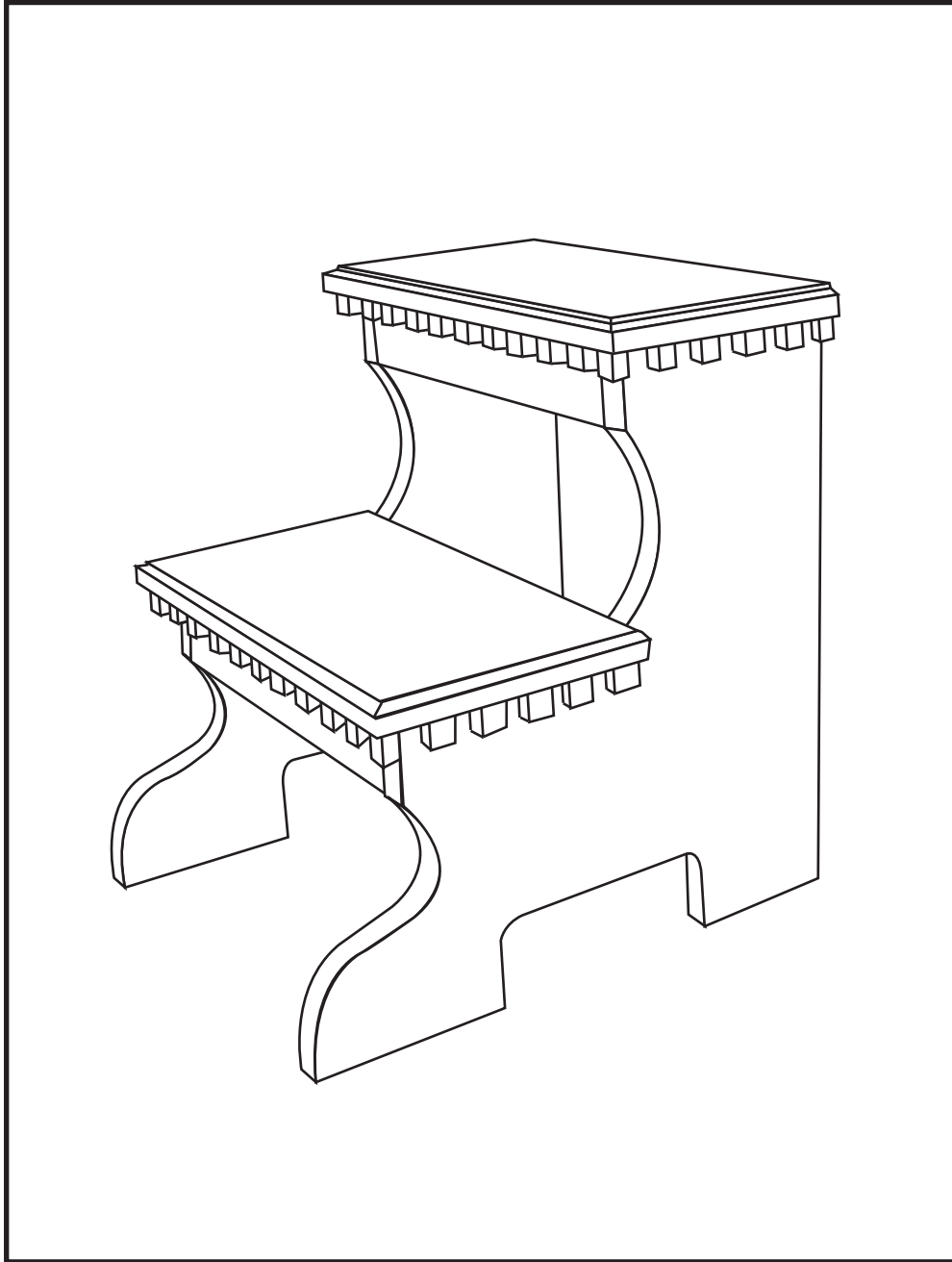


PRODUCT NAME: STAFFORD STEP STOOL

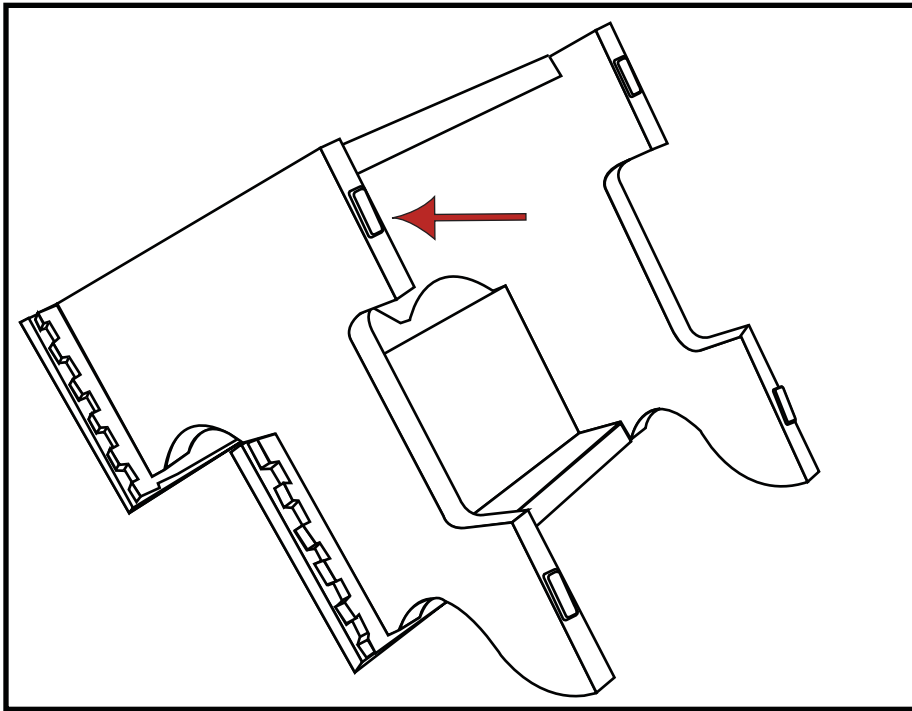
ITEM NUMBER: MI178

DIMENSIONS OF ITEM ASSEMBLED: 15.5"x13.25"x14.75"

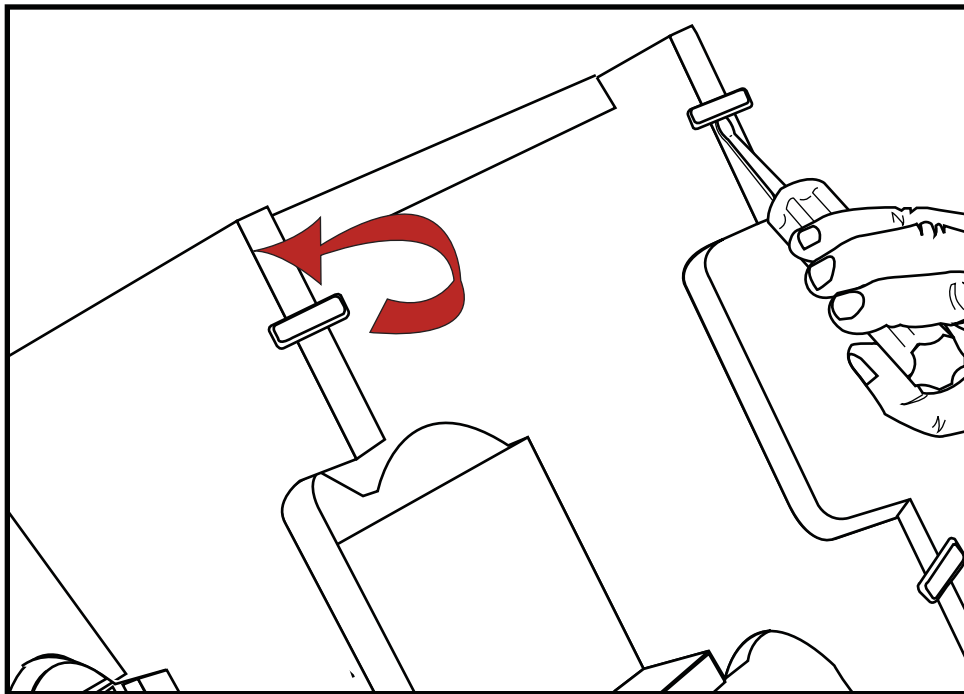
## Instructions for Removing Plastic Tabs



**STEP 1: Carefully flip stool onto its top. Check bottom to see if you have plastic gliders. Please follow the instructions below to remove them.**

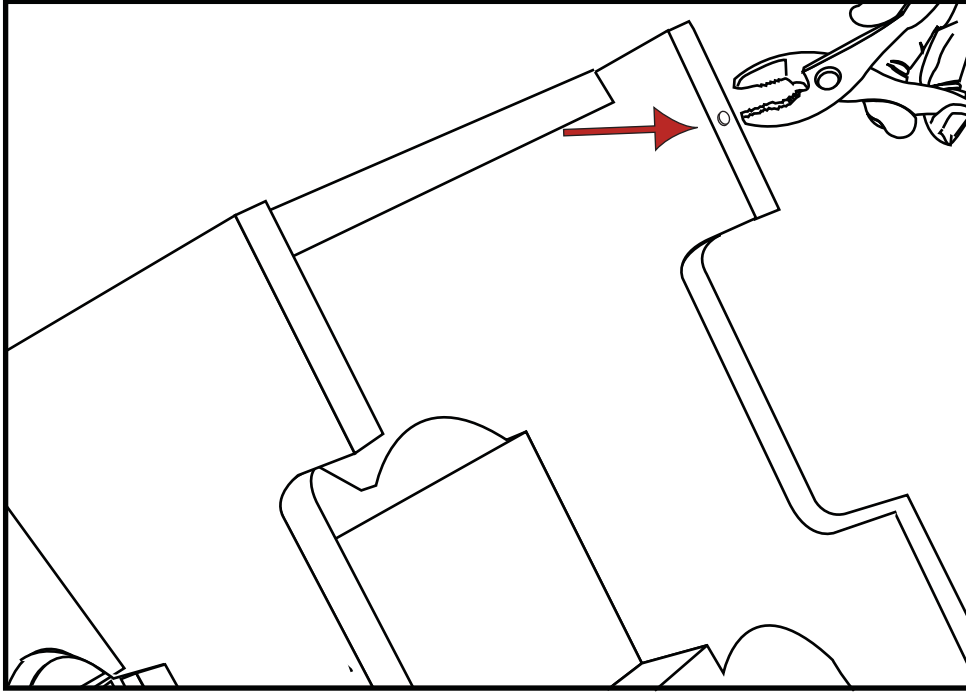


**STEP 2: Spin tab about 90 degrees, then pull up on tab.**



**STEP 3: If tab does not come out easy by pulling, use a flat head screw driver as a lever to pop tab out.**

**STEP 4: If tab separates from nail, use pliers to pull nail directly out.**



*The small amount of dried adhesive will not disrupt the products performance. Thank you for your business.*