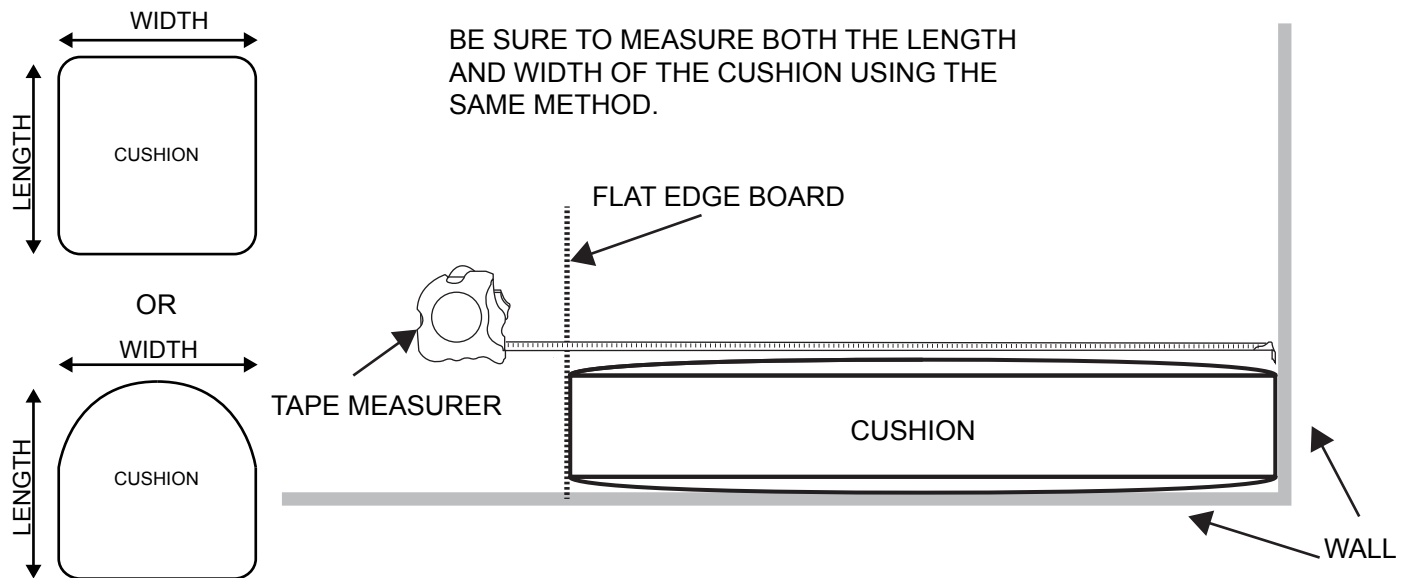


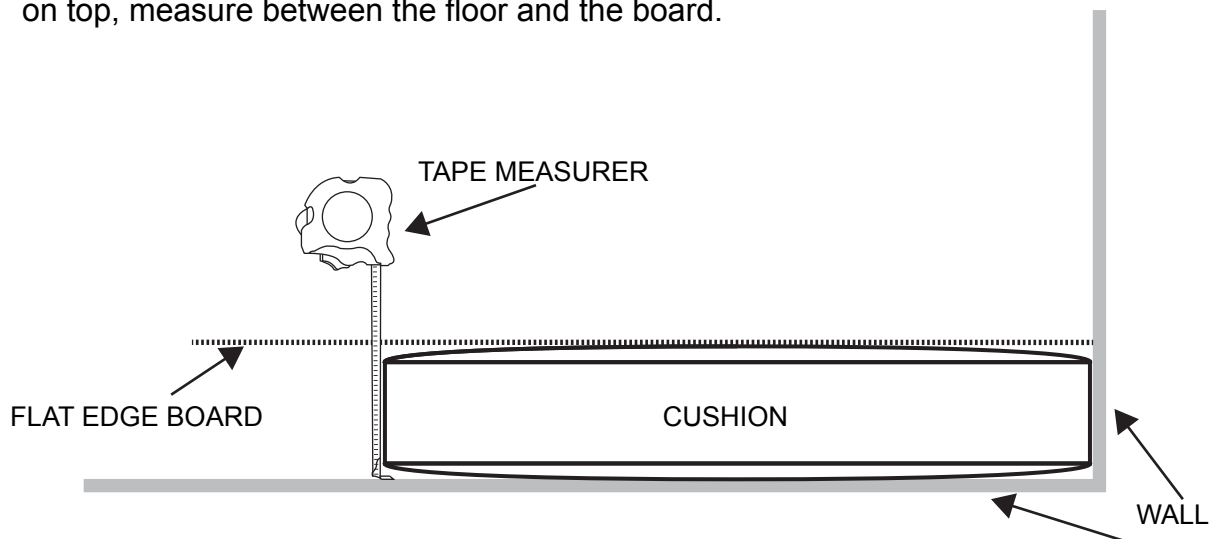
BALLARD DESIGNS®

How To Measure A Cushion Box-Edge

OVERALL DIMENSIONS: Place the cushion against a wall. Using a straight edge board, place it against the outer edge of the cushion at the widest point to measure between the wall and the board.



CROWN: Place the cushion flat on the floor and using a straight edge board laying level on top, measure between the floor and the board.

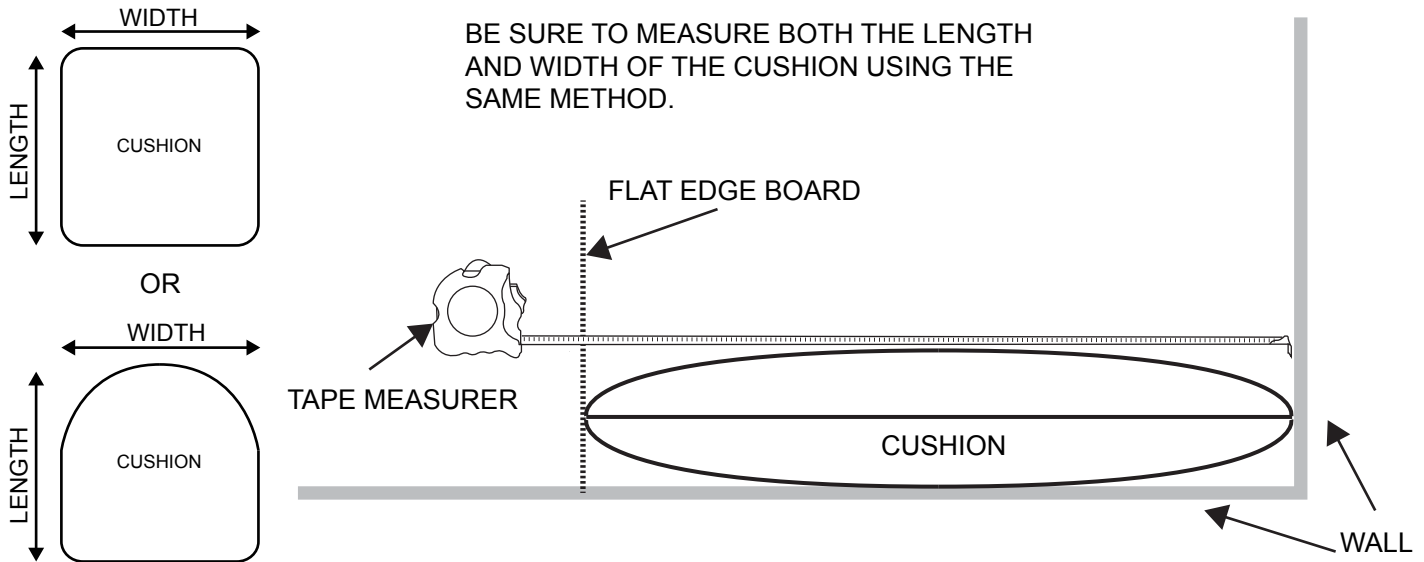


KNIFE-EDGE AND BOX-EDGE ARE MEASURED THE SAME WAY.
MEASUREMENTS SHOULD NOT DIFFER IF USING STRAIGHT RULER OR FABRIC TAPE.
THE CROWN MEASUREMENT MUST BE THE DIMENSION REQUESTED OR 1/4" LESS THAN THAT. IF THE CROWN IS LARGER THAN THE DIMENSION REQUESTED IT IS STILL APPROVED, ONLY IF IT IS LESS THAN 1/4" SPECIFIED IS IT NOT APPROVED.

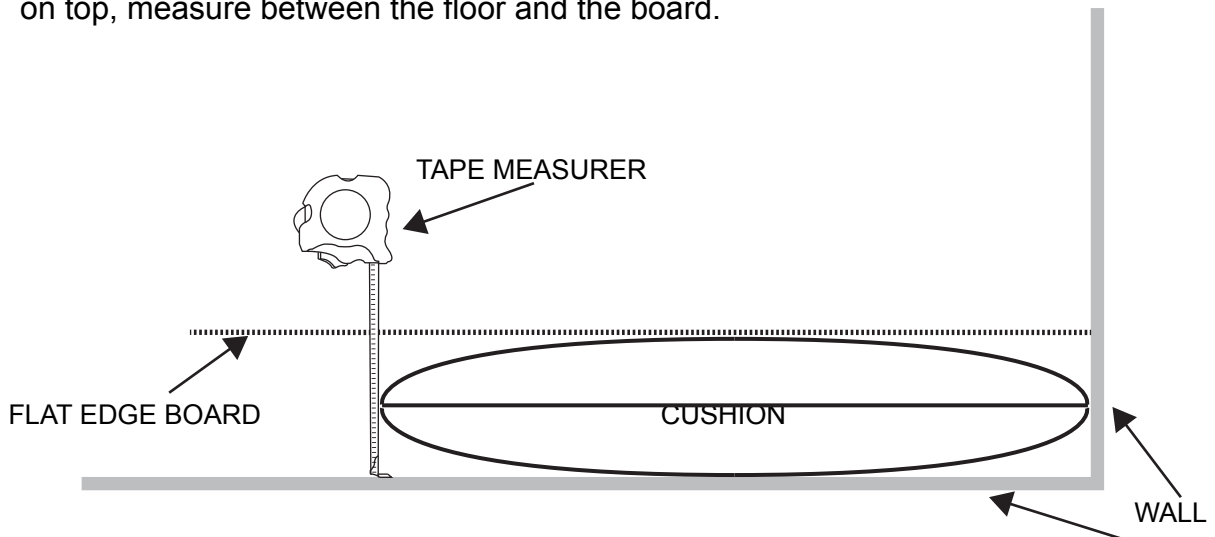
BALLARD DESIGNS®

How To Measure A Cushion Knife-Edge

OVERALL DIMENSIONS: Place the cushion against a wall. Using a straight edge board, place it against the outer edge of the cushion at the widest point to measure between the wall and the board.



CROWN: Place the cushion flat on the floor and using a straight edge board laying level on top, measure between the floor and the board.

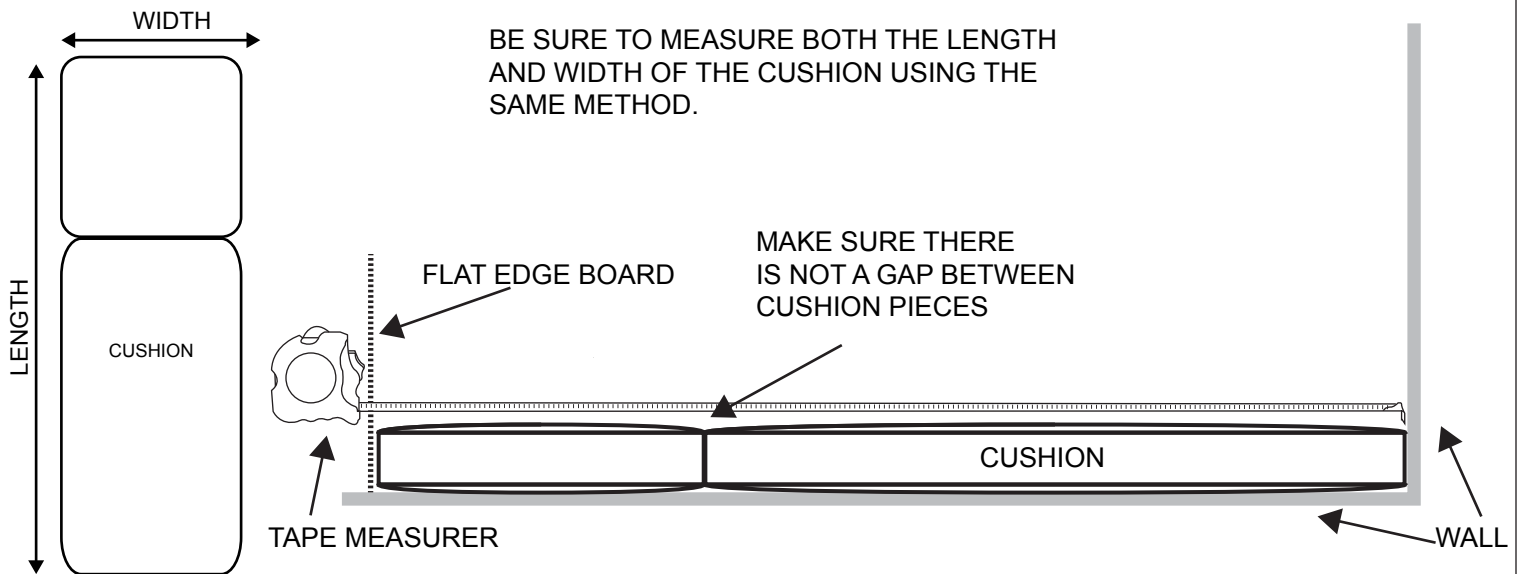


MEASUREMENTS SHOULD NOT DIFFER IF USING STRAIGHT RULER OR FABRIC TAPE. THE CROWN MEASUREMENT MUST BE THE DIMENSION REQUESTED OR 1/4" LESS THAN THAT. IF THE CROWN IS LARGER THAN THE DIMENSION REQUESTED IT IS STILL APPROVED, ONLY IF IT IS LESS THAN 1/4" SPECIFIED IS IT NOT APPROVED.

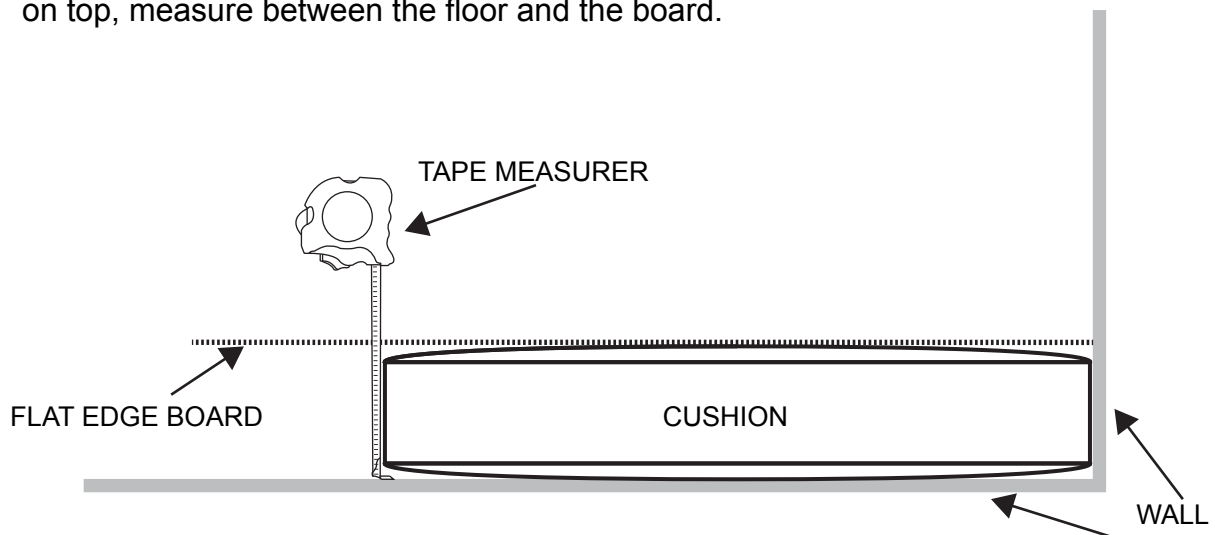
BALLARD DESIGNS®

How To Measure A Cushion Chaise Cushions

OVERALL DIMENSIONS: Place the cushion against a wall and push the separate cushions together. Using a straight edge board, place it against the outer edge of the cushion at the widest point to measure between the wall and the board.



CROWN: Place the cushion flat on the floor and using a straight edge board laying level on top, measure between the floor and the board.



KNIFE-EDGE AND BOX-EDGE ARE MEASURED THE SAME WAY.

SAME PROCESS FOR THE 3 PIECE CHAISE CUSHION.

MEASUREMENTS SHOULD NOT DIFFER IF USING STRAIGHT RULER OR FABRIC TAPE.

THE CROWN MEASUREMENT MUST BE THE DIMENSION REQUESTED OR 1/4" LESS THAN THAT. IF THE CROWN IS LARGER THAN THE DIMENSION REQUESTED IT IS STILL APPROVED, ONLY IF IT IS LESS THAN 1/4" SPECIFIED IS IT NOT APPROVED.